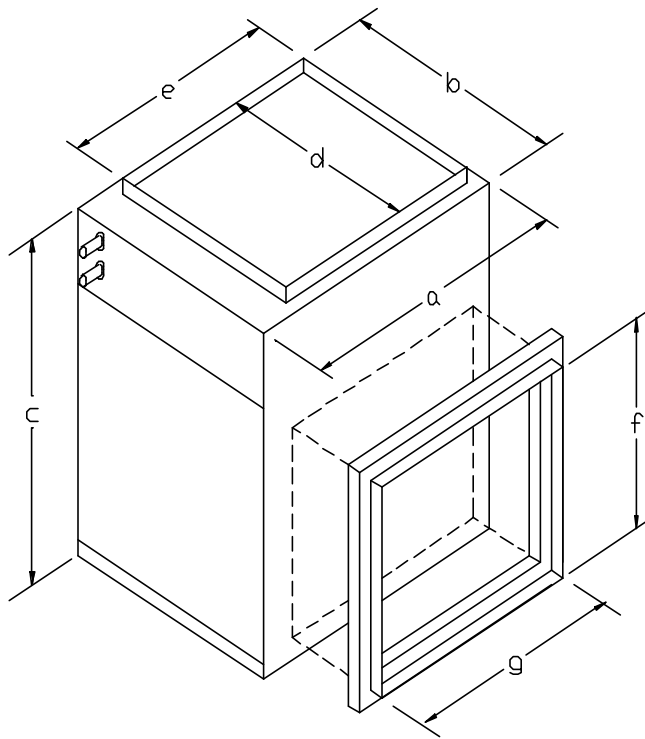


**Designed for Comfort: Thermal-pac™ air handlers work with domestic water heaters or boilers to provide space heating for any home.**

### Features simple reliable relay control

- Three independently selectable fan speeds for each operating mode: heating, cooling and continuous run.
- Compatible with all 24-volt thermostats.



- **Ultimate comfort:** delivers warmer, more comfortable air than typical combo systems, heat pumps and many furnaces.
- **Quiet performance:** engineered and dynamically balanced for quiet operation.
- **Good value:** costs less to install than a furnace, yet provides better comfort.
- **Dependable:** unlike a furnace, the Eco-pac™ has no burner or vent system to fail.
- **A total package:** add air conditioning and air filtration for complete indoor comfort.

### Physical Properties

Model Type	Cabinet dimensions			Supply air	Return air	water inlet and outlet	Shipping Weight
	a	b	c	d x e	f x g		
TP30	20"	14"	24"	12"x16"	12"x16"	1/2"	80 lb.
TP60	22"	22"	31.5"	20"x20"	20"x20"	3/4"	100 lb.
TP75	22"	22"	31.5"	20"x20"	20"x20"	3/4"	100 lb.

- **Freeze protection:** optional add on sensor available
- **Daily pump exerciser:** optional cycle timer available as special order
- **Cooling unit controls:** pre-wired for easy installation.
- **Flexible mounting:** unit mounts in any direction -- up, down, horizontal discharge left or right.
- **Return air:** can be mounted on left or right side, bottom, or back of unit.
- **Easy servicing:** Heating coil slides out front; all parts accessible through the front.
- **Add-on cooling:** is easy with a slab coil or A coil.

### Unit Specifications: Thermal-pac air handlers

MODEL:	TP30	TP60	TP75
*Heating Capacity (Btu/h) 130F water	28,000	56,000	71,000
*Heating Capacity (Btu/h) 140F water	30,000	60,000	77,000
*Heating Capacity (Btu/h) 160F water	37,000	77,000	100,000
*Heating Capacity (Btu/h) 180F water	48,000	95,000	122,000
(USGPM) Heating	2.3	3.6	5.0
Nominal Airflow (CFM)	800	1300	1900
Cooling Capacity (Tons)	1.5-2.0	2.0-3.5	2.5-5.0
Blower Motor Full Load (Amps)	4.9	4.9	10.2
Circulator Full Load (Amps)	0.8	0.8	0.8

\*based on 70F return air, high fan speed at 0.25" W.C. static pressure and 20F water temperature drop through the coil.

### Blower Specifications (CFM) with 1" washable filter

Model	External Static Pressure (in. wc)					External Static w/integral slab cooling coil				
	0.2	0.3	0.4	0.5	0.6	0.05	0.1	0.2	0.3	0.4
TP30	-	800	760	720	670	-	-	730	700	660
TP60	1300	1220	1160	1110	1070	1220	1160	1110	1070	1040
TP75	N/R	1900	1850	1780	1700	1900	1860	1820	1760	1700

All airflows at maximum speed.