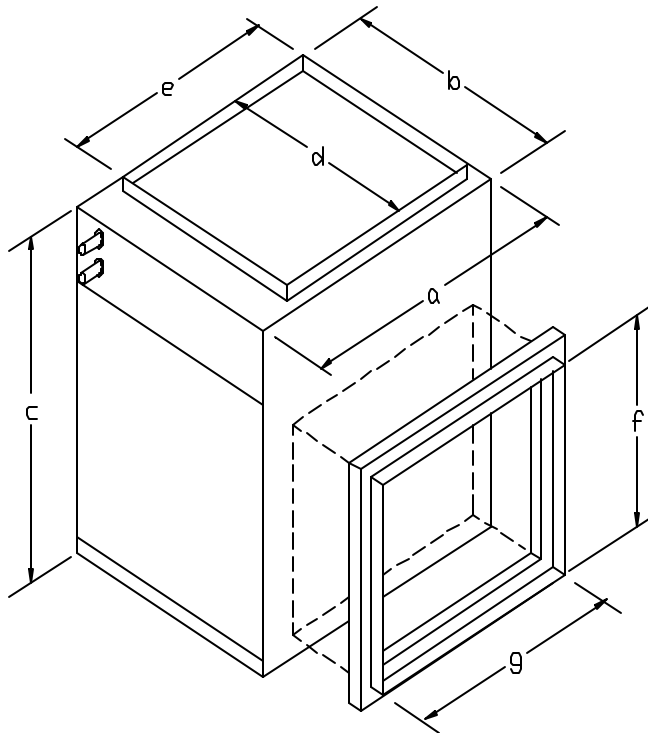


Economical high-velocity air handlers work with domestic water heaters or boilers to provide space heating for any home.

Features:

- 3 independent speeds available for heating, cooling, and continuous fan through relay controls.
- Utilizes Ecologix RNC Duct System Design to provide maximum flexibility to easily adapt to retrofit and new construction applications.
 - Combination of 3” and 4” duct materials take advantage of conventional materials for ease of design and installation.



- **Comfortable:** delivers warmer, more comfortable air than typical combo systems, heat pumps and many furnaces.
- **Quiet performance:** engineered and dynamically balanced for quiet operation.
- **Good value:** costs less to install than a furnace, yet provides better comfort.
- **Dependable:** unlike a furnace, the Eco-Duct has no burner or vent system to fail.
- **A total package:** add air conditioning and air filtration for complete indoor comfort.

Physical Properties

Model Type	Cabinet dimensions			Supply air	Return air	water inlet and outlet	Shipping Weight
	a	b	c	d x e	f x g		
TDHV-12 to 18	20"	14"	24"	12"x16"	12"x16"	1/2"	80 lb.
TDHV-24 to 60	22"	22"	31.5"	20"x20"	20"x20"	3/4"	100 lb.

- **Cooling unit controls:** pre-wired for easy installation.
- **Flexible mounting:** unit mounts in any direction -- up, down, horizontal discharge left or right.
- **Return air:** can be mounted on left or right side, bottom, or back of unit.
- **Easy servicing:** Heating coil slides out front; all parts accessible through the front.
- **Add-on cooling:** is easy with a slab coil or A coil.

Unit Specifications: Thermal-Duct™ air handlers

MODEL ¹	TDHV-12	TDHV-18	TDHV-24	TDHV-30	TDHV-36	TDHV-42	TDHV-48	TDHV-60
Number of 3" outlets ²	8	12	15	18	22	26	30	36
Cooling Capacity (Tons)	1.0	1.5	2.0	2.5	3.0	3.5	4.0	5.0
*Heating Capacity (MBH) 130F water	15	21	35	41	46	49	52	57
*Heating Capacity (MBH) 140F water	18	25	41	48	54	57	61	67
*Heating Capacity (MBH) 160F water	24	33	53	62	69	74	78	86
*Heating Capacity (MBH) 180F water	30	40	65	76	85	91	96	105
(USGPM) Heating	2.3	2.3	3.6	3.6	3.6	3.6	3.6	3.6
Nominal Airflow (CFM) ³	360	540	720	900	1080	1260	1440	1800
Maximum Design ESP Heat Only ("WC)	1.0	0.8	0.9	0.7	0.8	0.6	1.0	0.5
Maximum Design ESP Heat/Cool ("WC)	0.9	0.7	0.8	0.4	0.5	0.3	--	--
Blower Motor Full Load (Amps)	3.4	3.4	4.9	4.9	7	7	10	10
Circulator Full Load (Amps)	0.8	0.8	0.8	0.8	0.8	0.8	0.8	0.8

1. Minimum Required. Refer to Design and Installation Instructions for options.
2. All air flows at maximum speed.