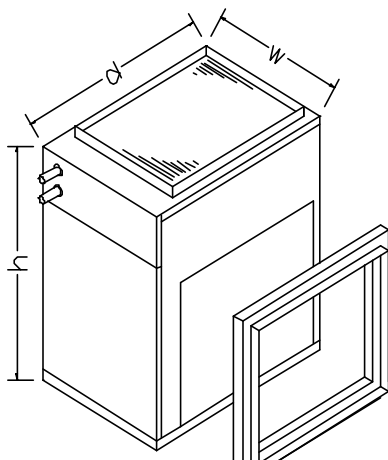


Direct Expansion (DX) air handlers for connection to a heat pump.

Physical Properties

120 volt, 1 ph., less than 12 amps

Catalogue No.		Cabinet dimensions			Supply air	Return air	Shipping info.	
		w	d	h			weight	Dimensions
DXAH18	fan box	14"	20"	24"	12"x16"	12"x16"	70 lb.	15"x23"x27"
	slab coil	5"	20"	14"	12"x16"	12"x16"	22 lb.	6"x15"x24"
DXAH36	fan box	22"	22"	31.5"	20"x20"	20"x20"	90 lb.	23"x25"x35"
	slab coil	5"	22"	22"	20"x20"	20"x20"	32 lb.	6"x23"x26"
DXAH60	integral A coil	22"	22"	48"	20"x20"	20"x20"	120 lb.	23"x25"x52"
DXAH72	integral A coil	22"	22"	48"	20"x20"	20"x20"	120 lb.	25"x25"x60"



DXAH18&36

- Unit mounts in any direction: up, down, horizontal discharge left or right.
- Return air can be mounted on left or right side, bottom, or back of unit. Small dimensions allows ceiling mounting or mounting above a water heater.
- Optional hydronic or electric heating coil slide out front for easy servicing.

handlers

Unit Specifications: DXAH air handlers

MODEL:	DXAH18	DXAH24	DXAH36	DXAH60	DXAH72
Nominal Airflow (CFM)	600	800	1200	2000	2400
Max. External Static Press. (in.w.c.)	1.2	1.3	0.5	0.5	0.5
Heating Capacity (Btu/hr.)	18,000	24,000	36,000	60,000	72,000
Cooling Capacity (Tons)	1.5	2.0	3.0	4.0-5.0	6.0
Blower Motor Full Load (Amps)	5.5	5.5	5.5	9.6	10.3
Auxiliary Heating Capacity with optional water coil					
Nominal Airflow (CFM)	800	800	1200	2000	2400
Heating Capacity (Btu/h) 140F water	30,000	45,000	60,000	42,000	45,000
Heating Capacity (Btu/h) 160F water	37,000	57,000	77,000	51,000	54,000
Heating Capacity (Btu/h) 180F water	48,000	72,000	95,000	60,000	64,000
Water Flow (usgpm)	2.3	3.6	3.6	3.6	3.6
Circulator Full Load (Amps)	0.6	0.8	0.8	0.8	0.8

2-stage available as special order